

ENT Surgical Microscope

SM3100



EPCC / PRODUCTS / APPLICATION / SOFTWARE / ACCESSORIES / CONSUMABLES / SERVICES

Analytical Technologies Limited

An ISO 9001 Certified Company

www.analyticalgroup.net

▶▶ Restorative dentistry

Quickly detect enamel and dentine fractures as well as approximal caries. High-precision views enable accurate assessment of crown edges, preparation levels and veneers



▶▶ Endodontics

Visualize fine anatomical structures and details of root canals and isthmuses. The visibility provides a clear view down to the apex.



▶▶ Implantology

Conduct high-precision examinations and implant treatments quickly and confidently. Reliably detect important anatomical structures.



▶▶ Periodontics

Benefit from support for soft-tissue evaluation and management to aid healing, low scarring and improved cosmetic outcomes.



SM3100 from Analytical makes details and fine structures clearly visible. It enables you to better visualize the regions of interest and consistently provide your patients with high-quality examinations and treatments.

The compact, high-performing, easy-to-use Analytical SM3100 offers solid support for even the most demanding applications – whether in restorative dentistry, endodontics, implantology or periodontics.

Analytical SM3100's cost-effective illumination options offer solutions for all dental specialities, also meeting your standards and needs. Complete integration of the light source makes it easier to clean the system.

Highly ergonomic functions enable various users to conveniently adjust the focal length while maintaining their preferred working posture.

Analytical SM3100 also features camera options to facilitate patient consultation and documentation, depending on the specific needs in your practice.

▶▶ For a better view

Analytical SM3100 enables you to visualize highcontrast, true-color images the key to improving the quality of the examination and treatment.

With Analytical SM3100, optics and illumination go hand in hand.

▶▶ View the whole mouth

The Varioskop[®] 100 objective lens allows you to adjust the focal length over a large range (100 mm) to focus on virtually any image detail – large or small – from the entire mouth down to fine anatomical structures.

▶▶ Better overview

The large field of view lets you visualize the entire oral cavity – providing a more comprehensive view and improved orientation of the horizontal axis.

▶▶ Illumination for dentistry

▶▶ The choice is yours:

▶▶ Halogen for standard applications

For all standard applications and routine examinations in your daily practice.



▶▶ LED for premium applications

For color rendition and light that strongly resembles natural daylight. It is a very cost effective and virtually maintenance-free light source. The very low heat output requires minimal ventilation and generates very low noise levels.



▶▶ Xenon for premium plus applications

For highest demands and professional documentation, the shadowless illumination puts light exactly where it is needed. Even root canals are perfectly illuminated and imaged.



▶▶ Wide-field eyepieces provide a large field of view with a 3D image

Special diopter settings also make them suitable for eyeglass wearers.



▶▶ More time for one treatment

Orange filter prevents premature curing.



▶▶ Full overview of fine details

Analytical SM3100 delivers high-quality images at every magnification level.



▶▶ Full overview – from optimum to maximum

The Foldable Tube f170/f260 boosts 150% detail magnification with the PROMAG™ function.

▶▶ For better ergonomics

A stiff neck, a sore back – things you experience all too often after a hard day's work. With Analytical SM3100 and features like the Varioskop 100, MORA interface, 180° tiltable tube, Foldable Tube f170/f260 and the specially tailored ergonomic handgrips, these are all a thing of the past.

You can sit comfortably in an upright, ergonomically correct position during treatment for a more relaxed working day.

▶▶ More comfort

Varioskop 100 enables users to conveniently adjust the focal length without leaving their preferred working position – a true advancement that helps prevent neck strain and back problems.

▶▶ Greater depth

Varioskop's adjustment knob allows you to adapt the focal length over a large distance to focus on the whole mouth as well as minute details in the vertical axis – without moving the Analytical SM3100.

▶▶ Ergonomic design in your hands

Adjustable connectors make it possible to individually arrange the handgrips. Ergonomically correct angles for dental treatments are provided.

▶▶ Comfortable overview

The MORA interface allows you to maintain a comfortable upright viewing position at all times, regardless of the angle of the system. You'll never have to take your eyes off your patient.

▶▶ Adjust the Analytical SM3100 to you and not vice versa

Reduce or increase the distance for the required treatment field as needed with the patented multi-link design of the Foldable Tube f170/f260. With its long reach, this highly flexible system easily accommodates the needs of the user and different positions of the patient.

▶▶ To create more trust

Real-life pictures are very convincing. Analytical SM3100 can accommodate a full HD video camera, allowing you to present patients with highdefinition material to explain procedures. In addition, the recordings provide you with an impressive means of presenting your results at conferences. Recordings can be used either to teach anatomy and procedures or to simply document work in HD quality.

▶▶ Integrated camera advantages

- The integrated full HD video camera delivers images with high definition and differentiation of details
- All functional elements are completely integrated into the system to avoid workspace clutter
- Conveniently fine-tune images with single button operation of the integrated video control console
- Ready for use when Analytical SM3100 is switched on
- Supports co-observation and documentation
- Simplified cleaning of the housing

▶▶ Integrated HD video camera

Depending on your specific practice needs, you can choose between three integrated HD video camera versions for intuitive handling and direct access to the most important features on the control board:

▶▶ HD-ready 720p

Live video quality



▶▶ Full HD 1080p

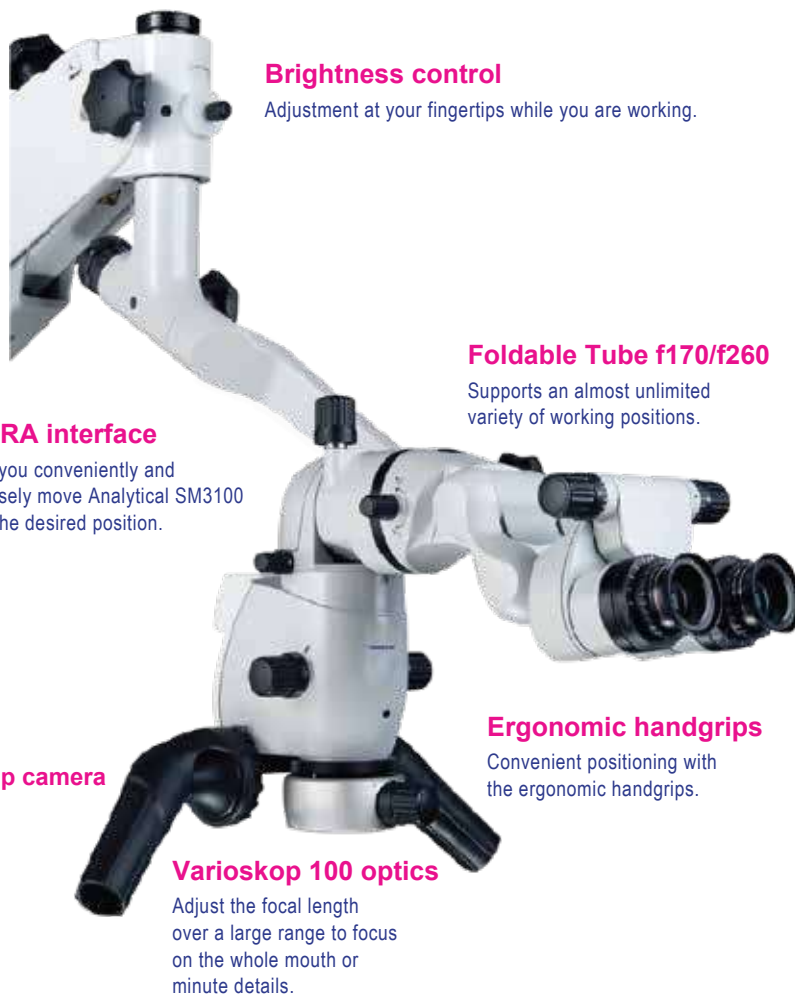
Meets even the highest demands in live video quality



Brightness control

▶▶ Live & streaming (Full HD 1080p) with recording license

- Stream live video into the network for viewing through various devices.
- Smart Recording: retroactively record video that occurred in the previous 30 seconds.
- Record onto shared network or USB device as well as facilitate easy transfer of still images and HD videos to patient management software.
- Create Full HD images during recording or from a recorded video.



Brightness control

Adjustment at your fingertips while you are working.

Foldable Tube f170/f260

Supports an almost unlimited variety of working positions.

MORA interface

Lets you conveniently and precisely move Analytical SM3100 into the desired position.

Ergonomic handgrips

Convenient positioning with the ergonomic handgrips.

Integrated Full HD 1080p camera

High definition for your patient consultation or documentation.

Varioskop 100 optics

Adjust the focal length over a large range to focus on the whole mouth or minute details.

►► For better integration`

A highly compact instrument with a small footprint, Analytical SM3100 fits seamlessly into virtually any practice workflow environment. Simply plug in the cable, switch the power on, and the Analytical SM3100 is ready for use.

►► Integrated light source

In addition to LED, Analytical SM3100 is also available with integrated halogen and xenon illumination. Control the brightness at your fingertips while you are working.

►► Intuitive video adjustment

Conveniently operate images with single button operation of the integrated video control console. Once the power is on, Analytical SM3100 is ready for recording, documentation and communication.

►► Complete integration of technology and design in the suspension arm for well-balanced architecture

Functional elements such as the video control console, HD video camera, cables, light sources and light guides are completely integrated into the stand to avoid workspace clutter.

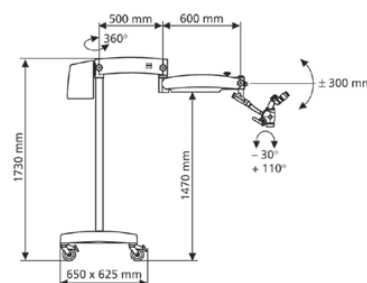
►► Workplace integration

Analytical SM3100 is compatible with a large variety of dental treatment units from other manufacturers.

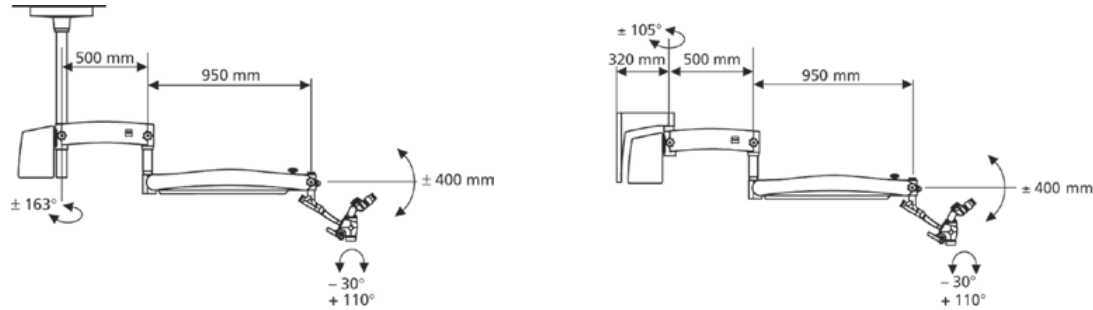
►► Technical data :

SM3100 from Analytical

Basic configuration	
Magnification system	Manual apochromatic magnification changer
Eyepieces	12.5x wide-field eyepieces; also suitable for eyeglass wearers
Tubes	Inclined 45° binocular tube, f=170 mm
Focus	f=250 mm, focusable
Illumination system	Halogen illumination
Handgrip	Standard handgrip
Mount mobility	120° coupler
Suspension system	Floor stand



Configuration options	
Eyepieces	10x wide-field eyepieces with and without reticle; also suitable for eyeglass wearers 12.5x wide-field eyepieces with reticle
Tubes	180° tiltable tube, f=170 Foldable Tube f170/f260 with PROMAG function boosts to 150% detail magnification
Focus	Varioskop 100, focusable working distance 200–300 mm f=200 mm, focusable f=300 mm, focusable
Illumination system	LED or Xenon illumination
Handgrips	Comfort handgrips Front handgrips T-handgrip
Mount mobility	MORA interface without 120° coupler MORA interface with 120° coupler
Suspension system	Ceiling mount Wall mount (wallplate) Centro mount Support unit



Accessory options	
Integrated video camera	HD-ready 720p Full HD 1080p Live & streaming (Full HD 1080p) with recording license Cables HD monitors
External video solutions	Adapter for single lens reflex cameras FlexioStill adapter for digital cameras FlexioMotion adapter for digital camcorders
Asepsis	Splash protection for the objective lens VisionGuard drapes for sterile work environment
Optics	Double iris diaphragm to increase the depth of field
Others	Instrument tray on floor stand

Regulatory compliances



Corporate Social Responsibility

Analytical Foundation is a nonprofit organization (NGO) found for the purpose of:



Analytical Foundation

1. Research & Innovation Scientist's awards/QC Professional Award : Quality life is possible by innovation only and the innovation is possible by research only, hence ANALYTICAL FOUNDATION is committed to identify such personalities for their contributions across various field of Science and Technology and awarding them yearly. To participate for award, send us your details of research / testing / publication at Info@analyticalfoundation.org

2. Improving quality of life by offering YOGA Training courses, Work shops/Seminars etc.

3. ANALYTICAL FOUNDATION aims to DETOXYFY human minds,souls and body by means of yoga, Meditation, Ayurveda, Health Care, Awards, Media, Events, Camps etc.

Reach us @



HPLC Solutions MultipleLabs Analytical Bio-Med Analytical Distributors Analytical Foundation (Trust)

Corporate & Regd. Office:
Analytical House, # E67 & E68,
Ravi Park, Vasna Road, Baroda,
Gujarat 390 015. INDIA

T: +91 265 2253620
+91 265 2252839
+91 265 2252370
F: +91 265 2254395

E: info@hplctechnologies.com
info@multiplelabs.com
info@analyticalgroup.net
info@analyticalbiomed.com

W. www.analycalgroup.net
www.hplctechnologies.com
www.multiplelabs.com
www.ais-india.com

Sales & Support Offices:
across the country :
Distributors & Channel
partners World Wide